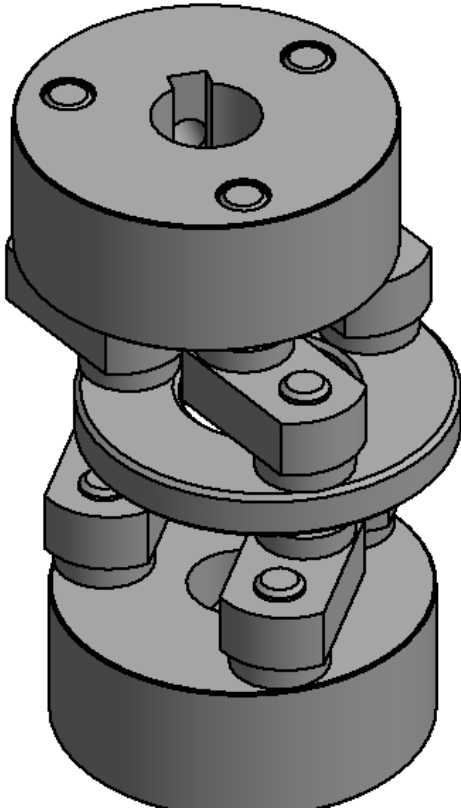
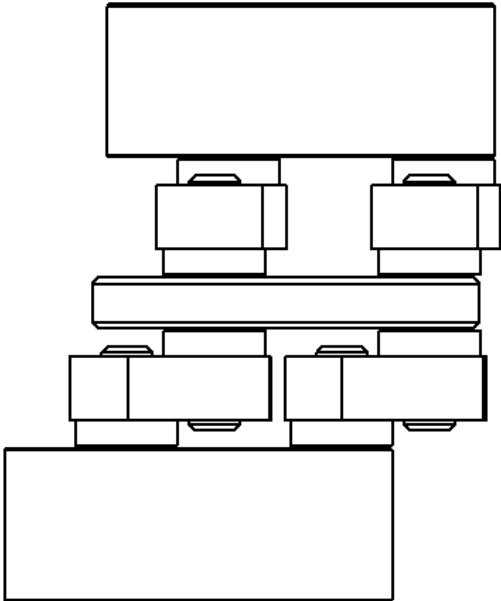
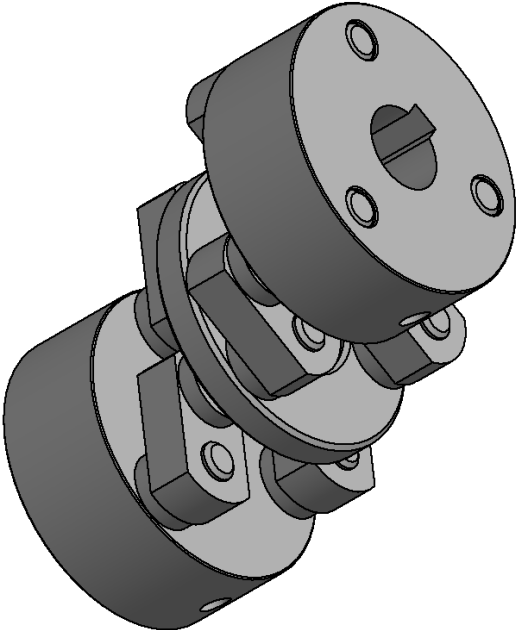


# Parallel Kupplung



**Parallel Kupplung:**